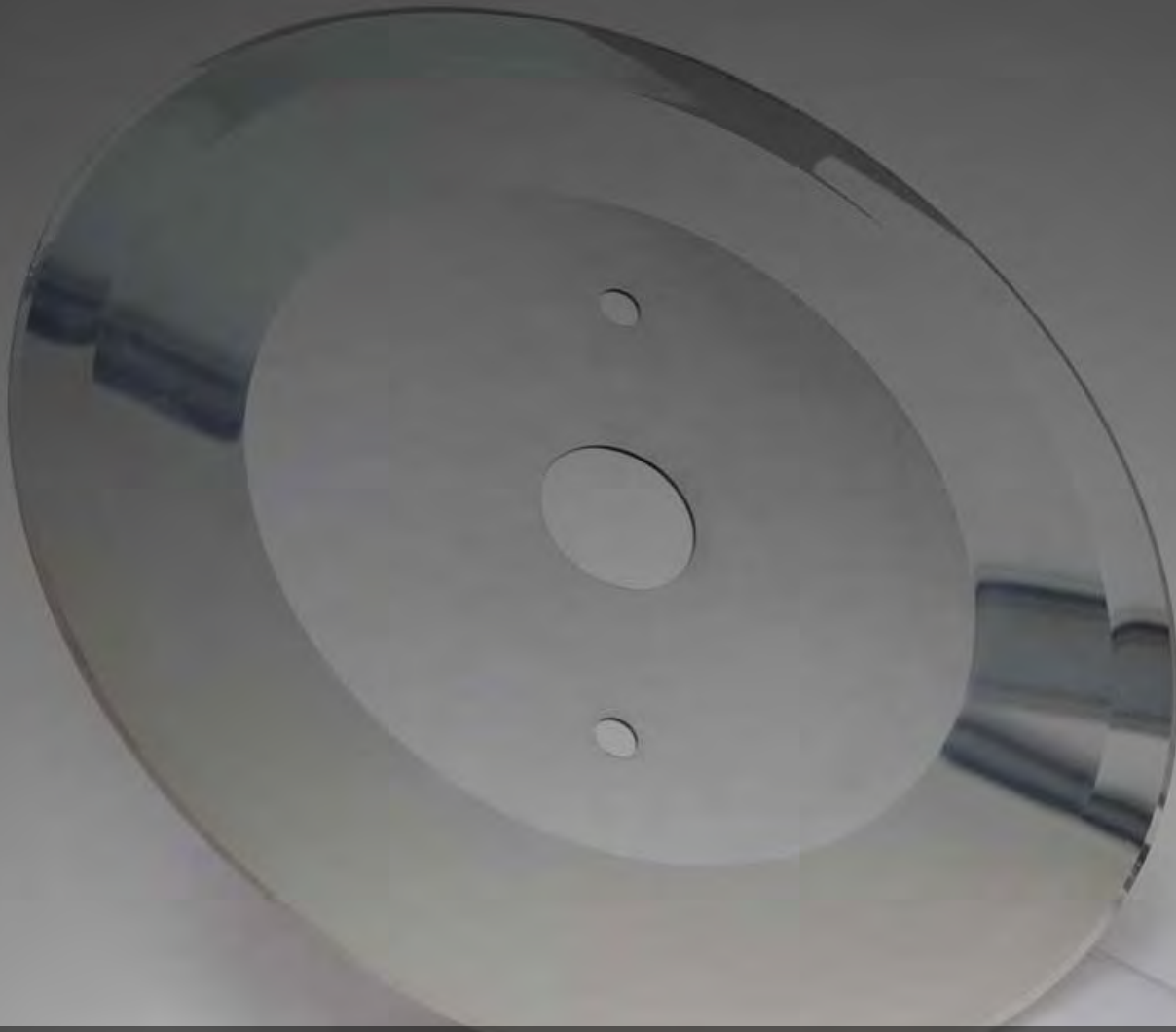


KONETOOL



INDUSTRIAL SLITTING BLADE



成都泛亚科锐硬质合金科技有限公司
KONE CARBIDE TOOL LTD

APPLICATIONS

We provide tungsten carbide blades, which are made of made of tungsten carbide raw material, and through powder metallurgy.

They are widely used in papermaking, tobacco, metal and packaging industries.

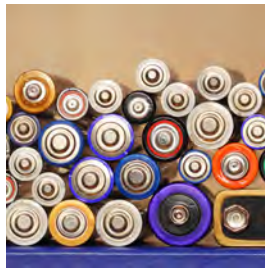
We provide different carbide grades to achieve your cutting requirement in different production areas.



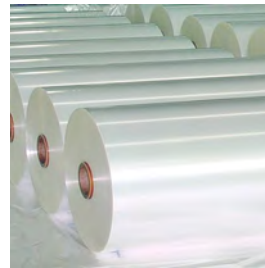
Corrugated Paper



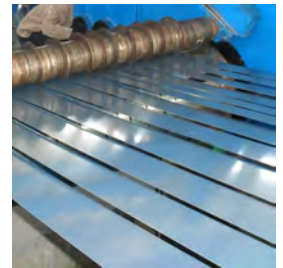
Tobacco



Battery



Film



Metal



Printing Packaging



Chemical Fiber



Rubber



Toilet Paper

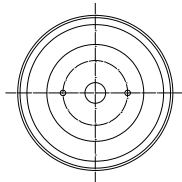


Textile

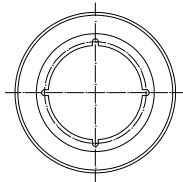
Corrugated Slitting Blade

Product Specifications

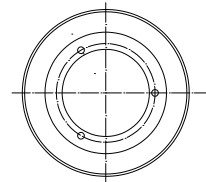
Order No.	OD(mm)	ID(mm)	T(mm)	Holes	Available For Machine
F0C240KK32K12B01	240	32	1.2	2x 8.5	BHS
F0C240KK32K13B01	240	32	1.3	2x 8.5	BHS
F0C230K135K11F01	230	135	1.1	4 Key Slots	Fosber
F0C230K135K11F02	230	135	1.1	6x 9	Fosber
F0C230K135K11F03	230	135	1.1	NONE	Fosber
F0C257K135K11F01	257	135	1.1	NONE	Fosber
F0C291K203K11F01	291	203	1.1	6x 8.5	Fosber
F0C220K115K10A01	220	115	1.0	3x 9	Agnati
F0C240K115K10A02	240	115	1.0	NONE	Agnati
F0C270K168K13X02	270	168	1.3	NONE	Hsieh Hsu
F0C280K160K11MSA	280	160	1.1	6x 8.0	Mitsubishi
F0C230K110K13K01	230	110	1.3	NONE	Kaituo
F0C200K122K13J01	200	122	1.3	NONE	Justu



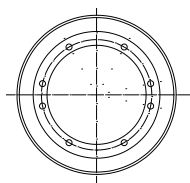
BHS



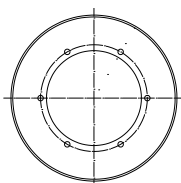
Fosber



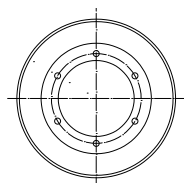
Agnati



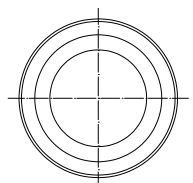
Hsieh Hsu



Mitsubishi



Kaituo

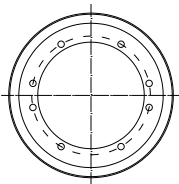


Justu

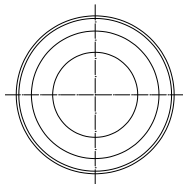
Corrugated Slitting Blade

Product Specifications

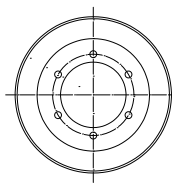
Order No.	OD(mm)	ID(mm)	T(mm)	Holes	Available For Machine
F0C2601683K12M01	260	168.3	1.2	NONE	Marquip
F0C2601683K15M01	260	168.3	1.5	NONE	Marquip
F0C2601683K12M02	260	168.3	1.3	NONE	Marquip
F0C2601683K12M03	260	168.3	1.2	8x 10.5	Marquip
F0C2601683K15M02	260	168.3	1.5	8x 10.5	Marquip
F0C260K140K15I01	260	140	1.5	NONE	Isowa
F0C260K140K15I02	260	140	1.5	6x 9.5	Isowa
F0C260K140K15I03	260	140	1.5	6x 9	Isowa
F0C250K105K15JSA	250	105	1.5	6x 11	Jingshan
F0C260K114K14WLA	260	114	1.4	6x 11	Wanlian
F0C270K140K14V01	270	140	1.3	6x 11	Vatanmakeina
F0C300K112K12T01	300	112	1.2	6x 11	TCY
F0C250K150K08P01	250	150	0.8	NONE	Peters
F0C260K112K15O01	260	112	1.5	6x 11	Oranda



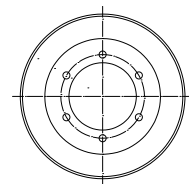
Marquip



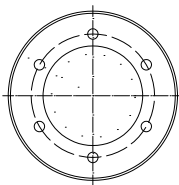
Isowa



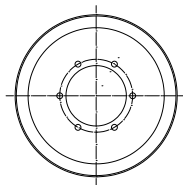
Jingshan



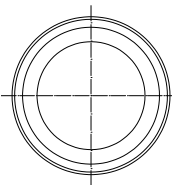
Wanlian



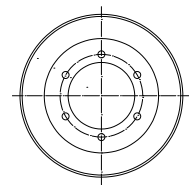
Vatanmakeina



TCY



Peters

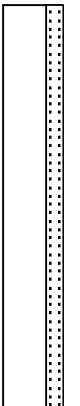
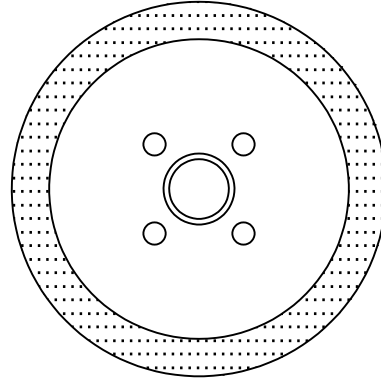
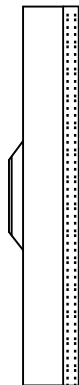
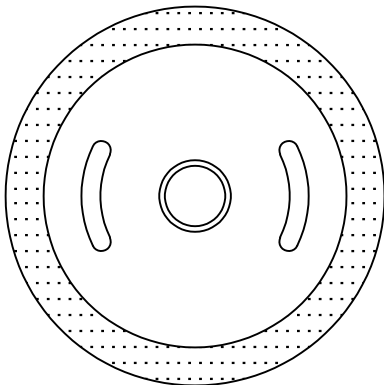


Oranda

Grinding Wheel For Corrugated Slitting Blade

Product Specifications

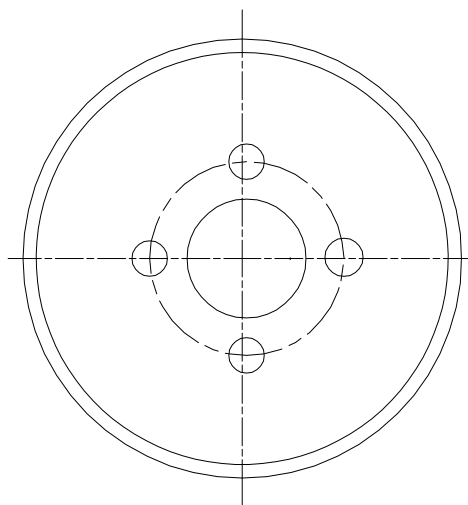
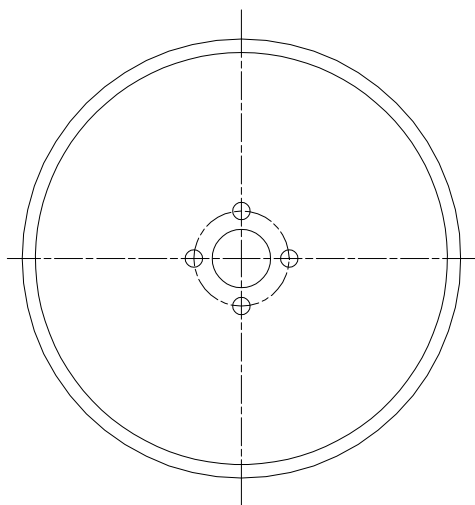
Order No.	OD(mm)	H(mm)	T(mm)	Available For Machine
FGW50K19K10B01	50	19	10	BHS
FGW70K10K10A01	70	10	10	AGNATI
FGW50158127M01	50	15.875	12.7	MARQUIP
FGW50K24K20MBA	50	24	20	MITSUBISHI
FGW50K17K15I01	50	17	15	ISOWA
FGW60K17125KHA	60	17	12.5	K&H
FGW50K10K15L01	50	10	15	LATITUDE
FGW70K19175F01	70	19	17.5	FOSBER
FGW50K15K14C01	50	15	14	CHAMPION
FGW50K15K14P01	50	15	14	PETERS
FGW50K16K10J01	50	16	10	JUSTU
FGW50K16105K01	50	16	10.55	KAITUO
FGW50K19145MWA	50	19	14.5	MINGWEI
FGW50K15K20T01	50	15	20	TCY
FGW50K15K13X01	50	15	13	HSIEH HSU
FGW50K15K15J01	50	15	15	JINGSHAN



Toilet Paper Circular Blade

Product Specifications

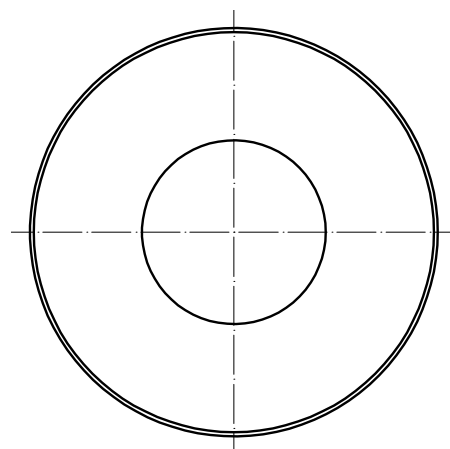
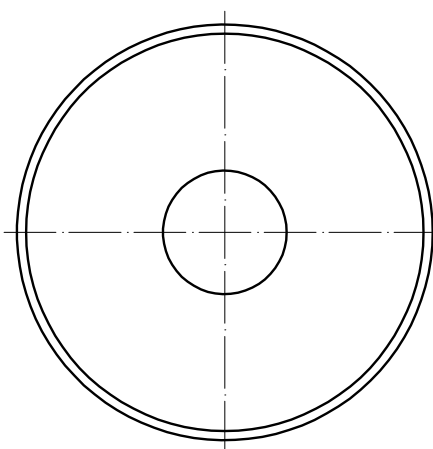
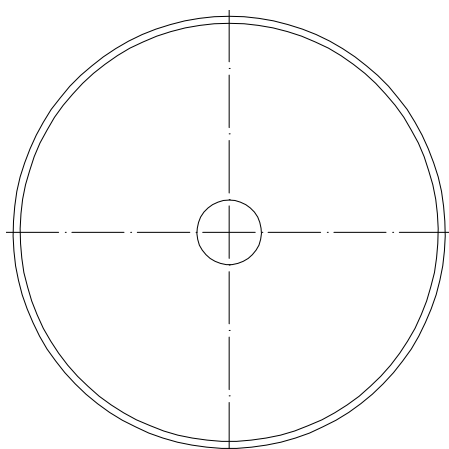
Order No.	OD(mm)	ID(mm)	T(mm)
F0P400KK50K20B01	400	50	2
F0P400K951K30B01	400	95.1	3
F0P300KK40K25B01	300	40	2.5
F0P300KK40K40B01	300	40	4
F0P300KK32K20B01	300	32	2



Tobacco Cutting Blade

Product Specifications

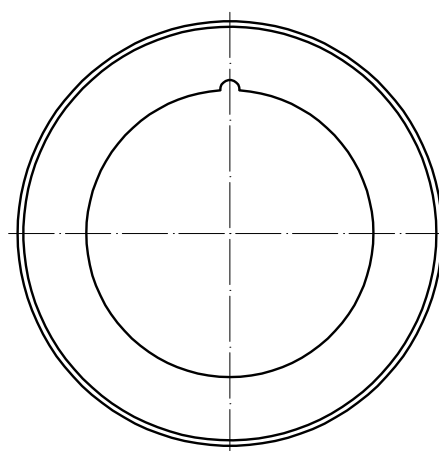
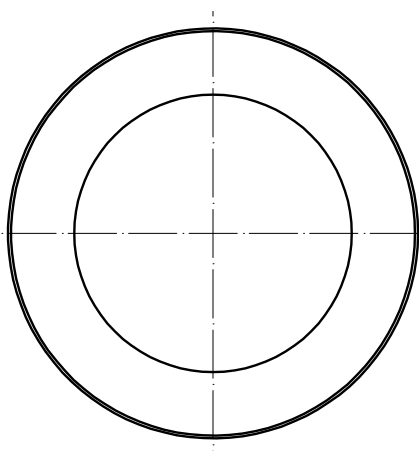
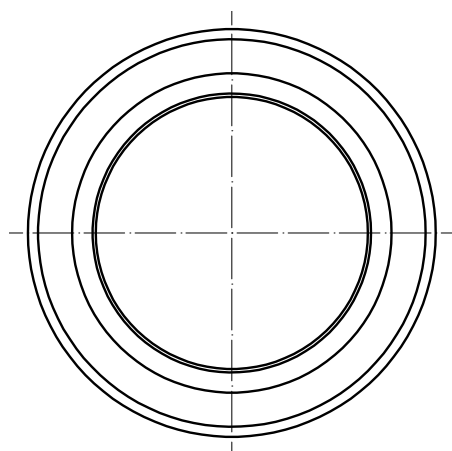
Order No.	OD(mm)	ID(mm)	T(mm)
F0T60K19K027A01	60	19	0.27
F0T61K190503A01	61	19.05	0.3
F0T63K15KK03A01	63	15	0.3
F0T64K190503A01	64	19.05	0.3
F0T85K16K025A01	85	16	0.25
F0T89K15K038A01	89	15	0.38
F0T100K15K03A01	100	15	0.3
F0T100K15035A01	100	15	0.35
F0T100K16K03A01	100	16	0.3
F0T100K16K02A01	100	16	0.2
F0T100K15K02A01	100	15	0.2
F0T110K22K05A01	110	22	0.5
F0T140K46K05A01	140	46	0.5



Battery Slitting Blade

Product Specifications

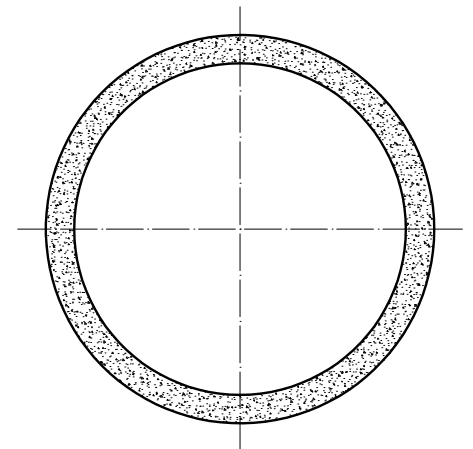
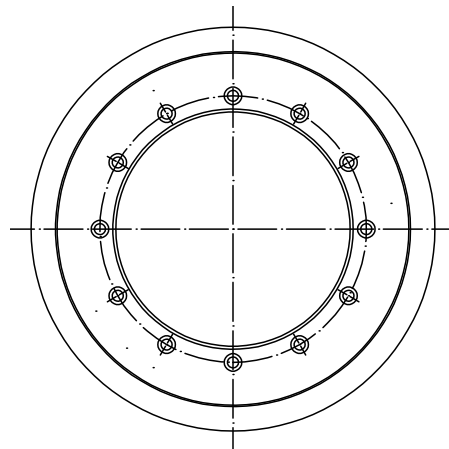
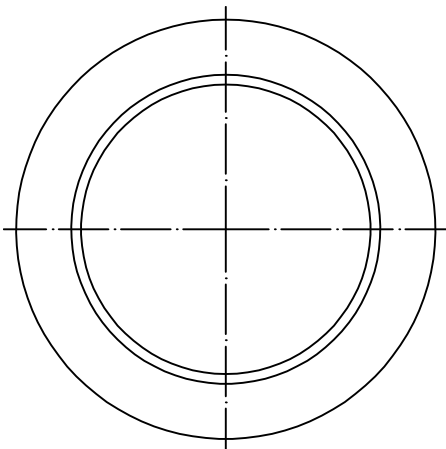
Order No.	OD(mm)	ID(mm)	T(mm)
FLB100K65K07A01	100	65	0.7
FLB100K65K20A01	100	65	2.0
FLB100K65K10A01	100	65	1.0
FLB100K65K30A01	100	65	3.0
FLB110K90K10A01	110	90	1.0
FLB110K75K30A01	110	75	3.0
FLB1102K9010A01	110.2	90	1.0
FLB110K90K30A01	110	90	3.0
FLB130K88K10A01	130	88	1.0
FLB130K70K30A01	130	70	3.0
FLB130K97K07A01	130	97	0.7
FLB130K95K40A01	130	95	4.0
FLB130K97K10A01	130	97	1.0
FLB130K95K50A01	130	95	5.0
FLB060K40K50A01	60	40	5.0
FLB072K46K05A01	72	46	0.5



Metal Shear Slitting Blade

Product Specifications

Order No.	OD(mm)	ID(mm)	T(mm)
FRS180KK75K10A01	180	75	10
FRS200K110K30A01	200	110	30
FRS250K145K14A01	250	145	14
FRS250K145K20A01	250	145	20
FRS2026148105A01	202.6	148	10.5
FRS2016110K08A01	201.6	110	8
FRS2016120K08A01	201.6	120	8
FRS1501K12510A01	150.1	125	10
FRS160K55K101A01	160	55	10.1
FRS181K109101A01	181	109	10.1
FRS201K135K10A01	201	135	10
FRS220K130045A01	220	130	4.5
FRS253K159141A01	253	159	14.1
FRS260K160K10A01	260	160	10
FRS315K280K20A01	315	280	20
FRS340K225K20A01	340	225	20



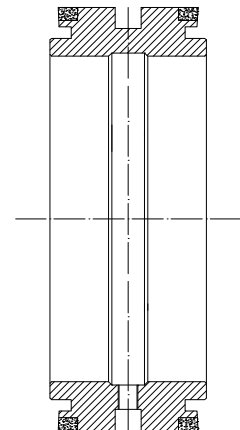
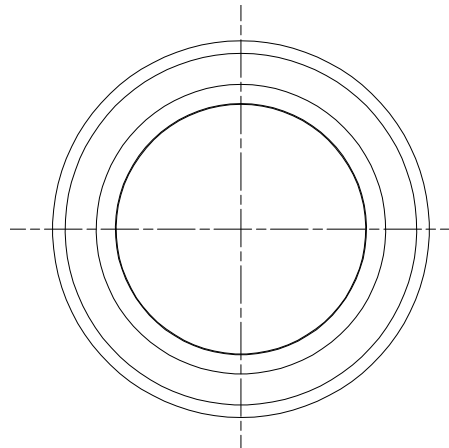
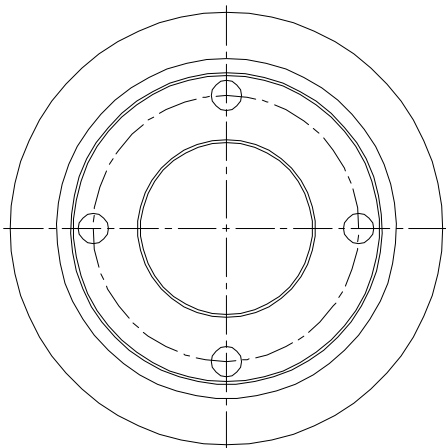
Rewinder Slitting Blade

Product Specifications

Order No.	OD(mm)	ID(mm)	T(mm)
FRW150K120K15A01	150	120	15
FRW130K100K48A01	130	100	48
FRW250K188K15A01	250	188	15
FRW250K140K20A01	250	140	20
FRW060K40KK05A01	60	40	5
FRW0744K35K18A01	74.4	35	18
FRW075K30K179A01	75	30	17.9
FRW190K140K20A01	190	140	20

Product Specifications

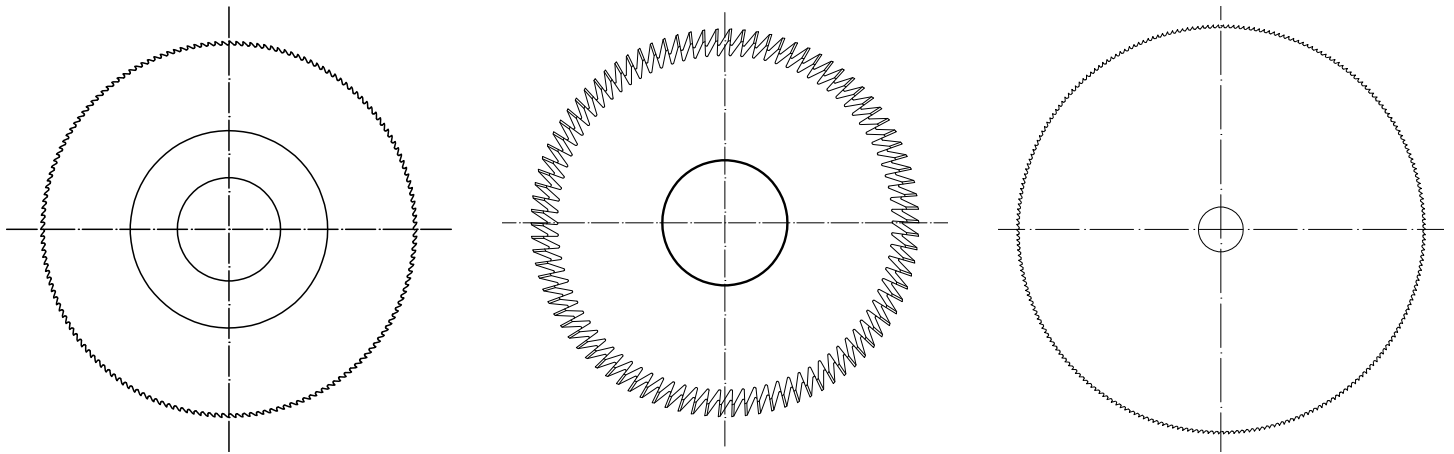
Order No.	OD(mm)	ID(mm)	T(mm)
FRW090K60K01A01	90	60	1
FRW100K75K12A01	100	75	1.2
FRW105K60K12A01	105	60	1.2
FRW110K70K12A01	110	70	1.2
FRW080K32K01A01	80	32	1
FRW090K42K01A01	90	42	1
FRW120K55K01A01	120	55	1
FRW105K70K01A01	105	70	1



Solid Circular Saw Blade

Product Specifications

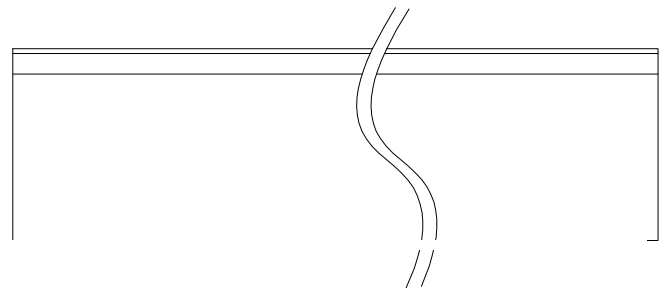
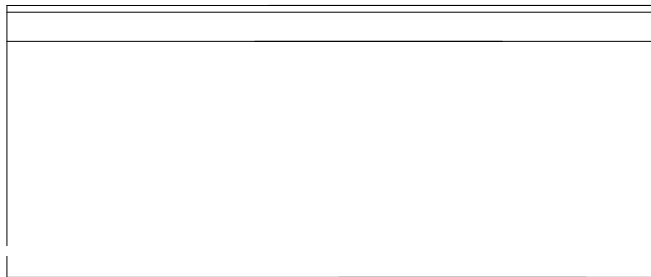
Order No.	OD(mm)	ID(mm)	T(mm)	Teeth
JMS020KK6K05T56A	20	6	0.5	56T
JMS035K18K10T30A	35	18	1	30T
JMS80K254K12T72A	80	25.4	1.2	72T
JMS100K50K07T90A	100	50	0.7	90T
JMS150K95K60T42A	150	95	6	42T
JMS300K30K25T60A	300	30	2.5	60T
JMS180K2012T250A	180	20	1.2	250T
JMS18025412T250A	180	25.4	1.2	250T
JMS200K2516T240A	200	25	1.6	240T



Chemical Fiber Cutting Blade

Product Specifications

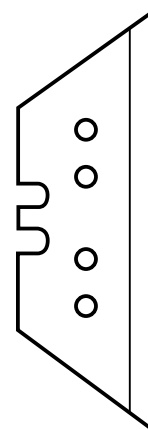
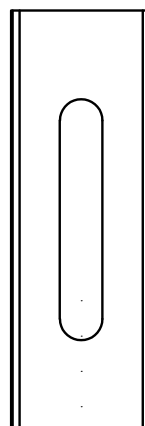
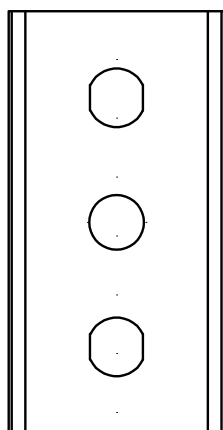
Order No.	L(mm)	W(mm)	H(mm)
FCF614K19K025A01	61.4	19.05	0.254
FCF095KK19K09A01	95	19	0.9
FCF745K155088A01	74.5	15.5	0.88
FCF1175155K09A01	117.5	15.5	0.9
FCF120K158K09A01	120	15.8	0.9
FCF1355190514A01	135.5	19.05	1.4
FCF140K19K088A01	140	19	0.884
FCF163K224023A01	163	22.4	0.23
FCF170K19K088A01	170	19	0.884
FCF213K244K10A01	213	24.4	1



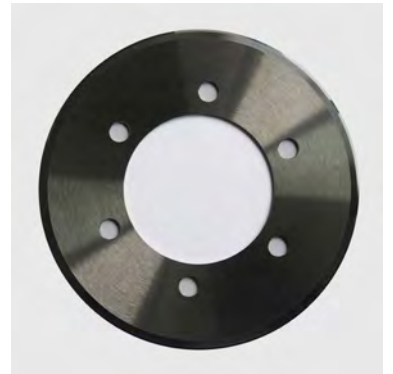
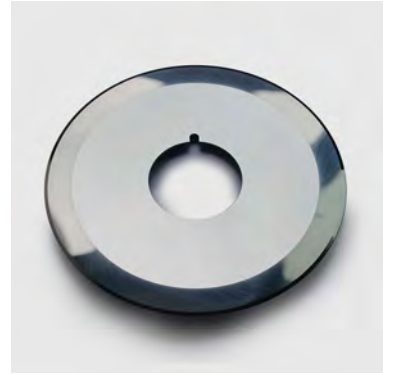
Packaging & Printing Cutting Blade

Product Specifications

Order No.	L(mm)	W(mm)	H(mm)
FPP323K14K38A01	32.3	14	3.8
FPP35K103K32A01	35	10.3	3.2
FPP38KK15K30A01	38	15	3
FPP39KK14K35A01	39	14	3.5
FPP424188459A01	42.4	18.8	4.59
FPP444186476A01	44.45	18.65	4.76
FPP45KK15K30A01	45	15	3
FPP50KK14K35A01	50	14	3.5
FPP51K139K35A01	51	13.97	3.5
FPP63KK14K40A01	63	14	4
FPP63K20K200A01	63	20	20
FPP64K18K180A01	64	18	18
FPP65KK18K50A01	65	18	5
FPP71KK14K35A01	71	14	3.5
FPP72KK14K40A01	72	14	4
FPP208KK8K50A01	20.8	8	5.0

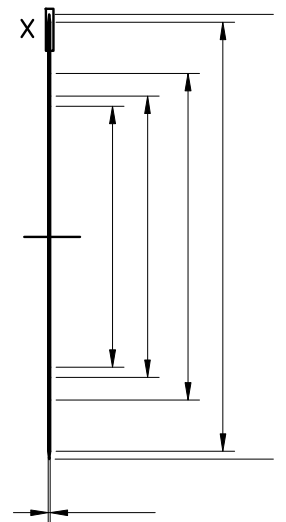
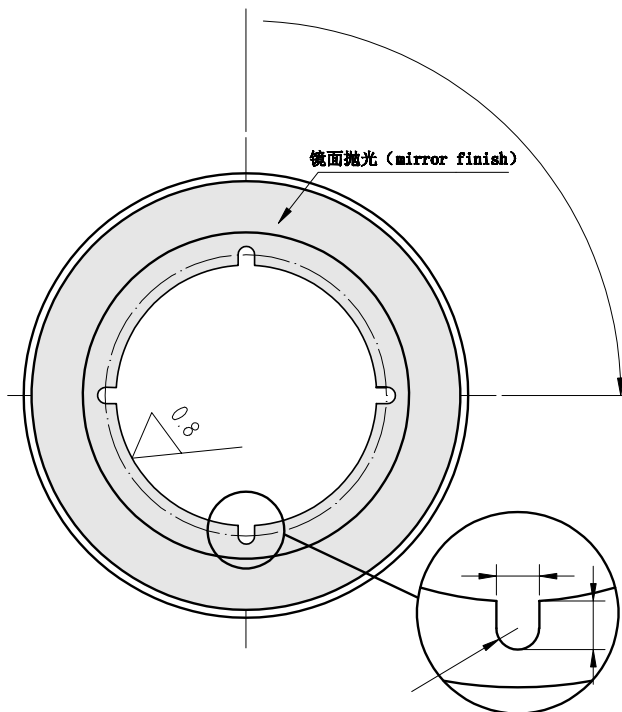
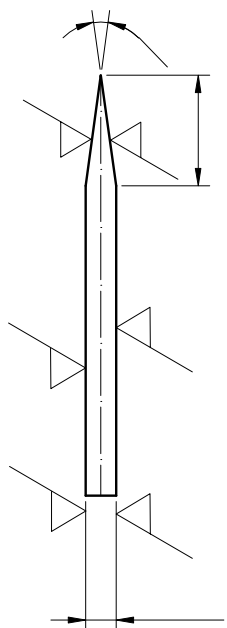
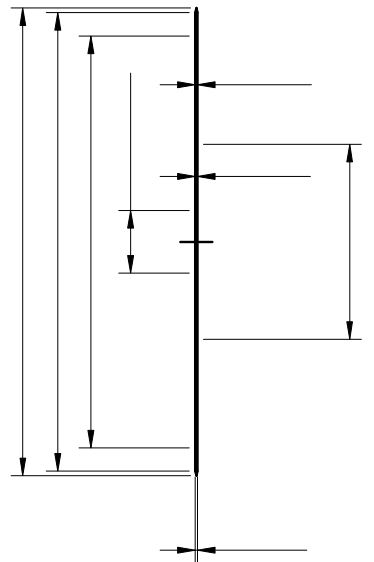
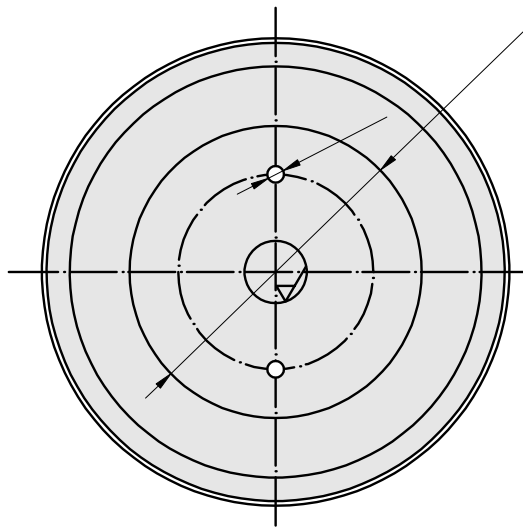
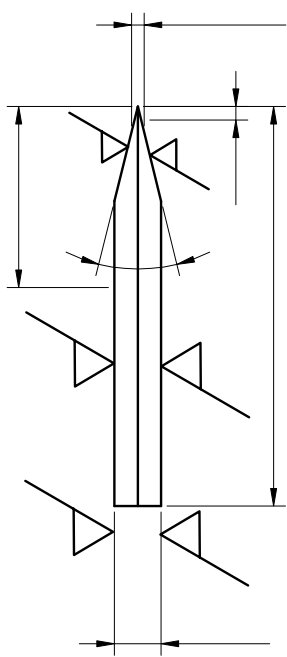


Customized Product



We Support Kinds Of Custom Blade

General Drawing for Confirmation





KONETOOL
KONE CARBIDE TOOL LTD

No 777 Haike Road Cross-Strait Industrial
Park Wenjiang 611130 Chengdu China

fax +86.28.6171.6272 +86.28.6171.6272
www.konecarbide.com www.konetool.com

General Requirements:	info@konetool.com
European Customer:	Jane@konetool.com
Asian & Oceanian Customer:	Sunny@konetool.com
North&Latin America Customer:	Selena@konetool.com
Middle East & Africa Customer:	Sales@konetool.com
